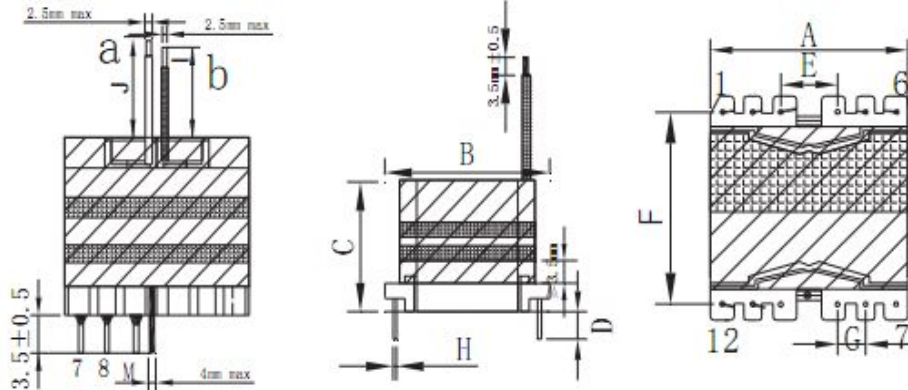


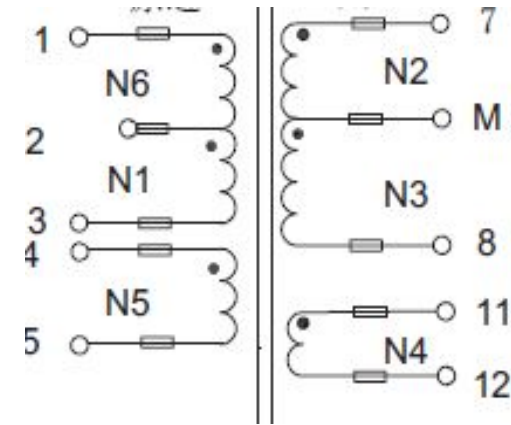
| | | |
|-------------------|------|---------------|
| CUSTOMER TERMINAL | ROHS | Lead(Pb)-free |
| | YES | YES |

1. Mechanical Dimensions



| | | |
|---|------|------|
| A | 35.0 | MAX |
| B | 35.0 | MAX |
| C | 26.5 | MAX |
| D | 3.5 | ±0.5 |
| E | 7.4 | ±0.3 |
| F | 30.0 | ±0.4 |
| G | 5.0 | ±0.3 |
| H | 0.8 | ±0.1 |
| I | 50.0 | ±2.0 |
| J | 70.0 | ±2.0 |

2. Schematic Diagram



3. Material List

Core:FW44 PQ3225

Bobbin:FWB3202-1(6+6PIN)

Wire: TIW LITZ

Copper foil:0.025t*8.0mm

Operating Temperature: -30 to115 °C

4. Electrical Specification

Inductance : L(1-3):550uH±5% 50KHZ , 1.0V

Leakage Inductance : 9uH MAX 50KHZ , 1.0V

DCR : (1-3)=276mΩ MAX (7-8)=50.5mΩ MAX

Hi-Pot:P-S: AC 60Hz 4000V 1mA 3S

P-CORE: AC 60Hz 4000V 1mA 3S

| | | | | | | |
|------|-------|-----------------------------|------|--|----------------|---------------------------|
| REV. | DATE | <p>Convention Placement</p> | DRW. | | Drawing Title: | Part No: |
| 0 | 00/00 | | CHK. | | | |
| | | | APP. | | Customer P/N | Specification Sheet 1of 1 |

ROHS

www.ferriwo.com